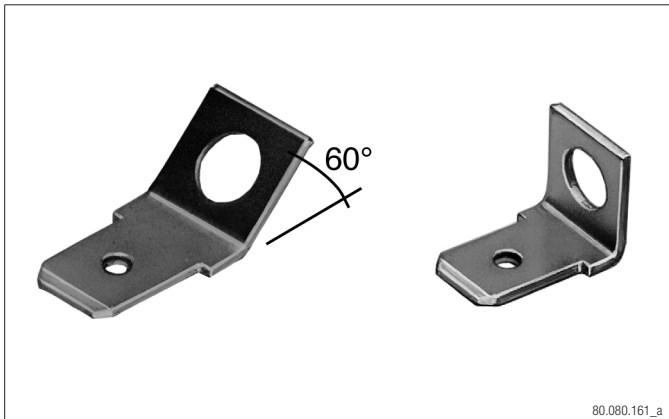
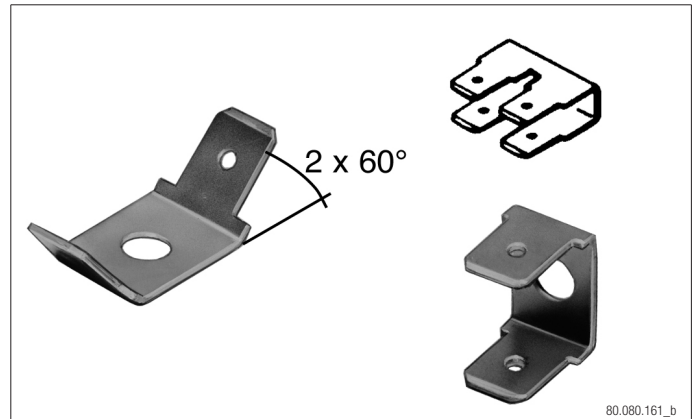


FZ SB



80.080.161_a



80.080.161_b

MAT

Messing, galvanisch verzinkt

RoHS

Flachsteckzungen schraubbar FZ SB

Werkstoff Ms, Oberfläche galvanisch verzinkt. A = Stecker

TYP		A mm	\varnothing mm			Plica-Nr.	E-Nr.	VE
I	180°	2.8 x 0.5	2.2	100	verzinkt	61.4700.510		100
		2.8 x 0.8	3.2			61.4700.520		100
		4.8 x 0.5				61.4700.530		100
		4.8 x 0.8	4.3			61.4700.540		100
		6.3 x 0.8				61.4700.550		100
II	45°	2.8 x 0.8	2.2	100	verzinkt	61.4700.710		100
		4.8 x 0.8	3.2			61.4700.720		100
		6.3 x 0.8	4.3			61.4700.730		100
III	90°	2.8 x 0.8	3.2	100	verzinkt	61.4700.840		100
		4.8 x 0.8				61.4700.850		100
		6.3 x 0.8	4.3			61.4700.860		1000
IV	2 x 60°	2.8 x 0.8	3.2	100	verzinkt	61.9102.110		1
		4.8 x 0.8	4.2			61.9102.120		1
		6.3 x 0.8				61.4700.560		100
V	2 x 90°	4.8 x 0.8	3.2	100	verzinkt	61.9102.140		1
		6.3 x 0.8	4.2			61.9102.150		100
VI	4 x 90°	6.3 x 0.8	4.1	100	verzinkt	61.4700.760		100